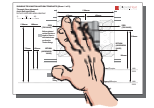
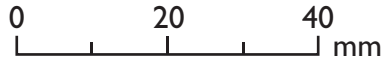


LH and RH installation

DOUBLE TRV INSTALLATION TEMPLATE (Sheet 1 of 2)

Through floor pipework

DO NOT SCALE DRG WHEN PRINTING



STICK TO WALL
TO USE

130mm
(OG)

100mm
(LT)

FEED
(TRV VALVE)

FEED
(TRV VALVE)

Relieve plaster/
surface finish to a
depth of 5mm in
this shaded area
to allow for
Tectite fittings

120mm

RETURN
(LOCKSHIELD
VALVE)

RETURN
(LOCKSHIELD
VALVE)

90mm

75mm
(OG)

45mm
(LT)

WALL

FINISHED FLOOR LEVEL

WALL

FINISHED FLOOR LEVEL

Relieve plaster/surface finish
to a depth of 25mm in this dark
shaded area to allow feed
pipe to go behind Tectite
fitting

Fold along here for **Urban LT** template

Drill 2 x 18mm holes
(See sheet 2 for location)

Fold along here for **Regency OG** template

Drill 2 x 18mm holes
(See sheet 2 for location)

130mm

65mm

65mm

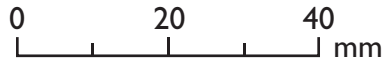
60mm

95mm

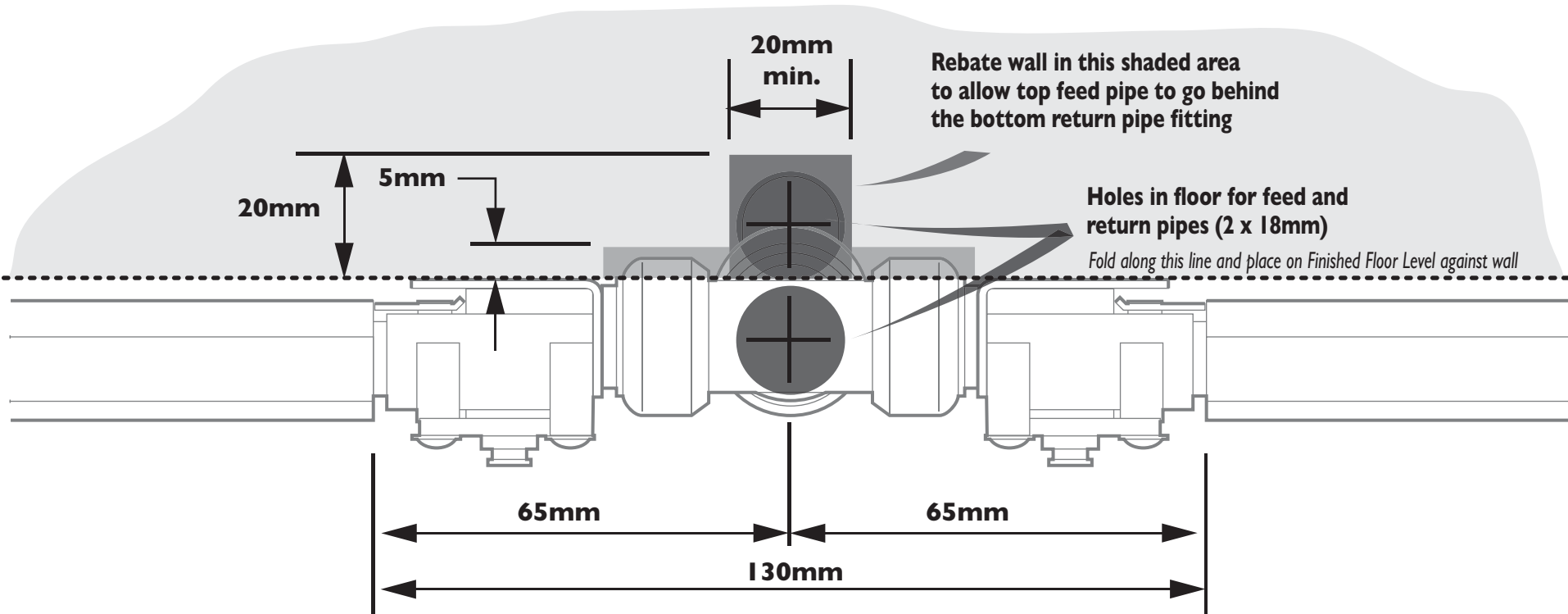
LH and RH installation

DOUBLE TRV INSTALLATION TEMPLATE (Sheet 2 of 2) Through floor pipework

DO NOT SCALE DRG WHEN PRINTING



STICK TO WALL
TO USE



PLAN VIEW SHOWING REBATE