

LH SIDE INTERNAL CORNER

THRESHOLD INTERNAL SPECIAL COVERS (Sheet 1 of 2)

NAME:

JOB REF OR ORDER NO.:

COMPANY (if applicable):

SKIRTING PROFILE - 6"LT / **8"OG** / **5"PR**

TELEPHONE NO.:

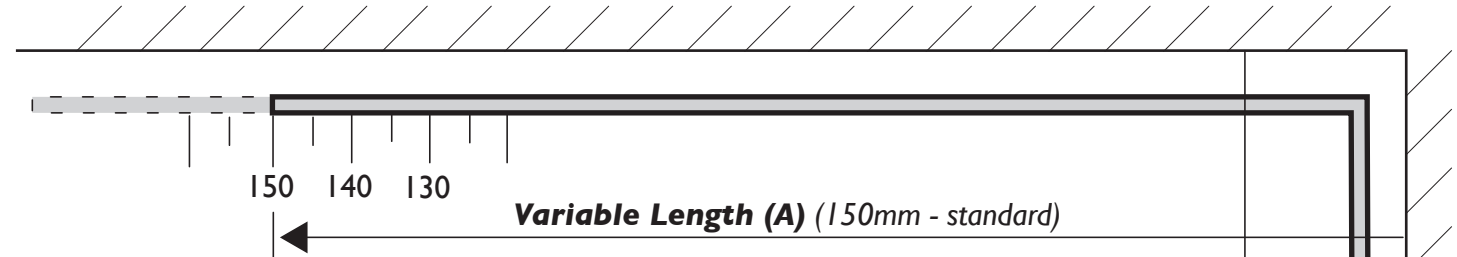
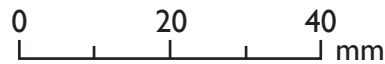
COLOUR:

E-MAIL ADDRESS:

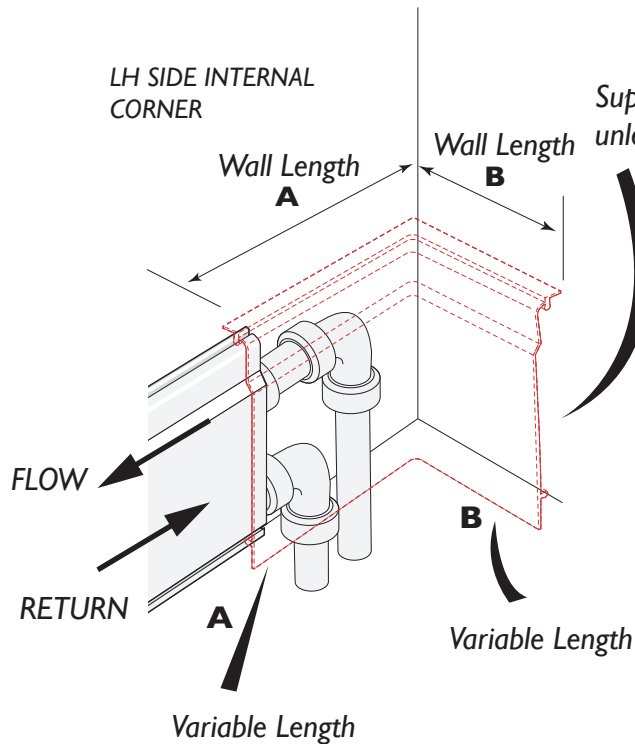
SIGNED: **DATE:**

Print out and mark length required and return to DiscreteHeat.

Do not scale when printing out



PLAN VIEW

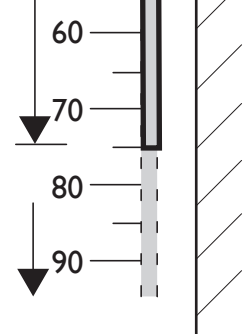


Supplied 'open' end unless specified.

A = 150mm as standard.
 B = 75mm as standard.
 Leave blank if standard dimension OK.

Variable Length (B)
 (75mm - standard)

Item	Ref	LENGTH REQUIRED:	A	B	Qty.	Closed?
1.	_____	LENGTH REQUIRED:	A	B	<input type="checkbox"/>
2.	_____	LENGTH REQUIRED:	A	B	<input type="checkbox"/>
3.	_____	LENGTH REQUIRED:	A	B	<input type="checkbox"/>
4.	_____	LENGTH REQUIRED:	A	B	<input type="checkbox"/>
5.	_____	LENGTH REQUIRED:	A	B	<input type="checkbox"/>
6.	_____	LENGTH REQUIRED:	A	B	<input type="checkbox"/>
7.	_____	LENGTH REQUIRED:	A	B	<input type="checkbox"/>
8.	_____	LENGTH REQUIRED:	A	B	<input type="checkbox"/>

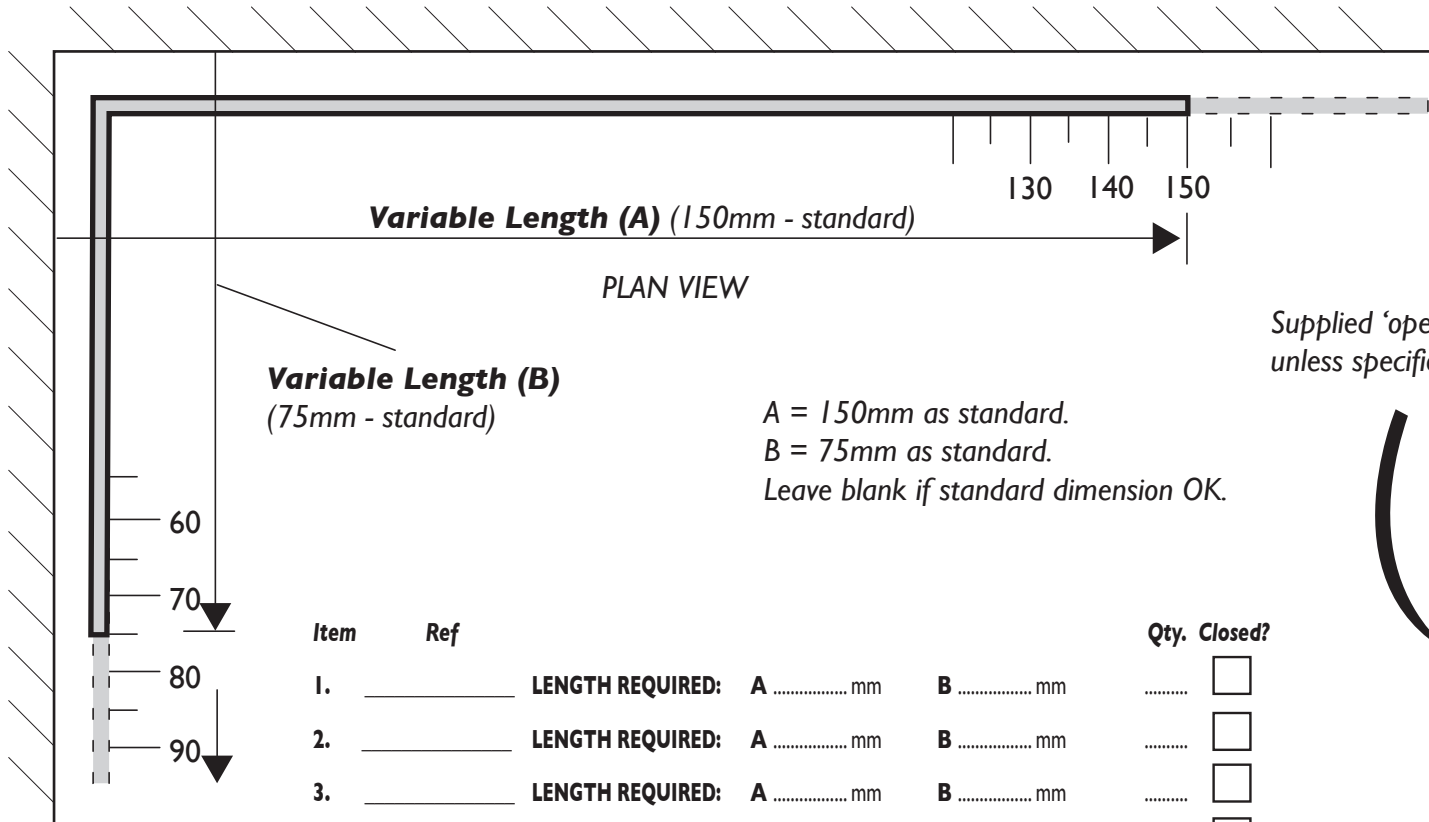


THRESHOLD INTERNAL SPECIAL COVERS (Sheet 2 of 2)

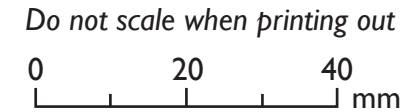
RH SIDE INTERNAL CORNER

NAME:
COMPANY (if applicable):
TELEPHONE NO.:
E-MAIL ADDRESS:

JOB REF OR ORDER NO.:
SKIRTING PROFILE - 6"LT / **8"OG** / **5"PR**
COLOUR:
SIGNED: **DATE:**



Print out and mark length required and return to DiscreteHeat.



A = 150mm as standard.
B = 75mm as standard.
Leave blank if standard dimension OK.

Item	Ref	LENGTH REQUIRED:	A	B	Qty.	Closed?
1.	LENGTH REQUIRED:	A mm	B mm	<input type="checkbox"/>
2.	LENGTH REQUIRED:	A mm	B mm	<input type="checkbox"/>
3.	LENGTH REQUIRED:	A mm	B mm	<input type="checkbox"/>
4.	LENGTH REQUIRED:	A mm	B mm	<input type="checkbox"/>
5.	LENGTH REQUIRED:	A mm	B mm	<input type="checkbox"/>
6.	LENGTH REQUIRED:	A mm	B mm	<input type="checkbox"/>
7.	LENGTH REQUIRED:	A mm	B mm	<input type="checkbox"/>
8.	LENGTH REQUIRED:	A mm	B mm	<input type="checkbox"/>

Supplied 'open' end unless specified.

