

**LH SIDE EXTERNAL CORNER**

**THRESHOLD EXTERNAL SPECIAL COVERS (Sheet 1 of 2)**

**NAME:** .....

**JOB REF OR ORDER NO.:** .....

**COMPANY** (if applicable): .....

**SKIRTING PROFILE - 6"LT**  / **8"OG**  / **5"PR**

**TELEPHONE NO.:** .....

**COLOUR:** .....

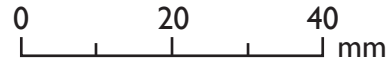
**E-MAIL ADDRESS:** .....

**SIGNED:** ..... **DATE:** .....

Print out and mark length required and return to DiscreteHeat.

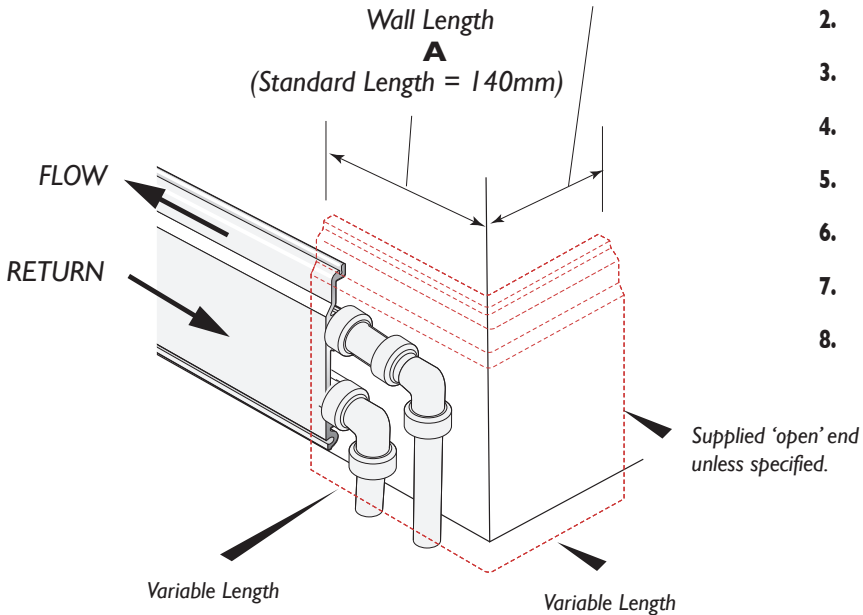
A = 140mm as standard.  
B = 60mm as standard.  
Leave blank if standard dimension OK.

Do not scale when printing out

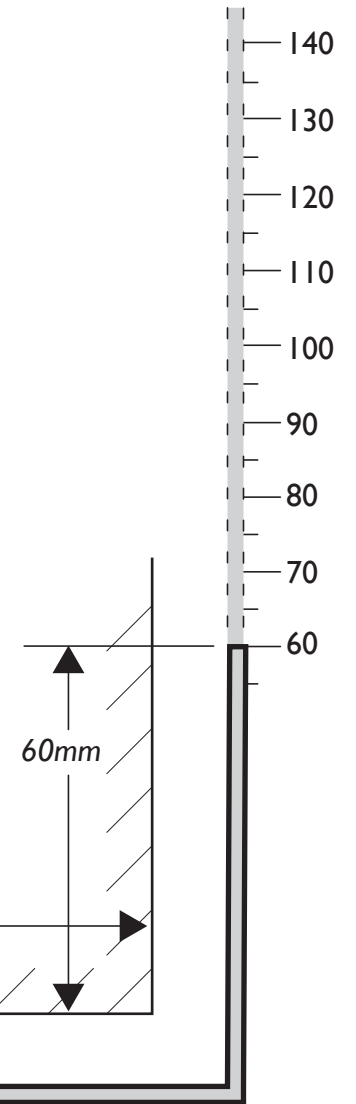


Wall Length **B**  
(Standard Length = 60mm)

Wall Length **A**  
(Standard Length = 140mm)



Item	Ref	LENGTH REQUIRED:	A .....	mm	B .....	mm	Qty.	Closed?
1.	_____	LENGTH REQUIRED:	A .....	mm	B .....	mm	.....	<input type="checkbox"/>
2.	_____	LENGTH REQUIRED:	A .....	mm	B .....	mm	.....	<input type="checkbox"/>
3.	_____	LENGTH REQUIRED:	A .....	mm	B .....	mm	.....	<input type="checkbox"/>
4.	_____	LENGTH REQUIRED:	A .....	mm	B .....	mm	.....	<input type="checkbox"/>
5.	_____	LENGTH REQUIRED:	A .....	mm	B .....	mm	.....	<input type="checkbox"/>
6.	_____	LENGTH REQUIRED:	A .....	mm	B .....	mm	.....	<input type="checkbox"/>
7.	_____	LENGTH REQUIRED:	A .....	mm	B .....	mm	.....	<input type="checkbox"/>
8.	_____	LENGTH REQUIRED:	A .....	mm	B .....	mm	.....	<input type="checkbox"/>



**THRESHOLD EXTERNAL SPECIAL COVERS** (Sheet 2 of 2)

**RH EXTERNAL CORNER**

**NAME:** .....

**JOB REF OR ORDER NO.:** .....

**COMPANY** (if applicable): .....

**SKIRTING PROFILE - 6"LT** {  / 8"OG {  / 5"PR {

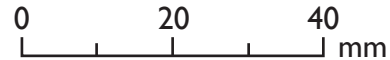
**TELEPHONE NO.:** .....

**COLOUR:** .....

**E-MAIL ADDRESS:** .....

**SIGNED:** ..... **DATE:** .....

DO NOT SCALE DRG WHEN PRINTING

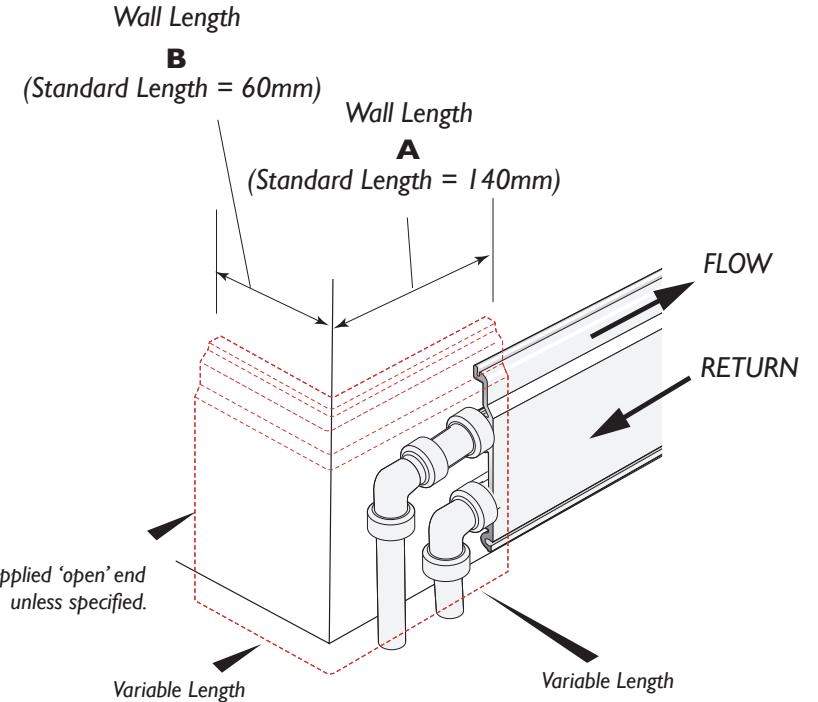
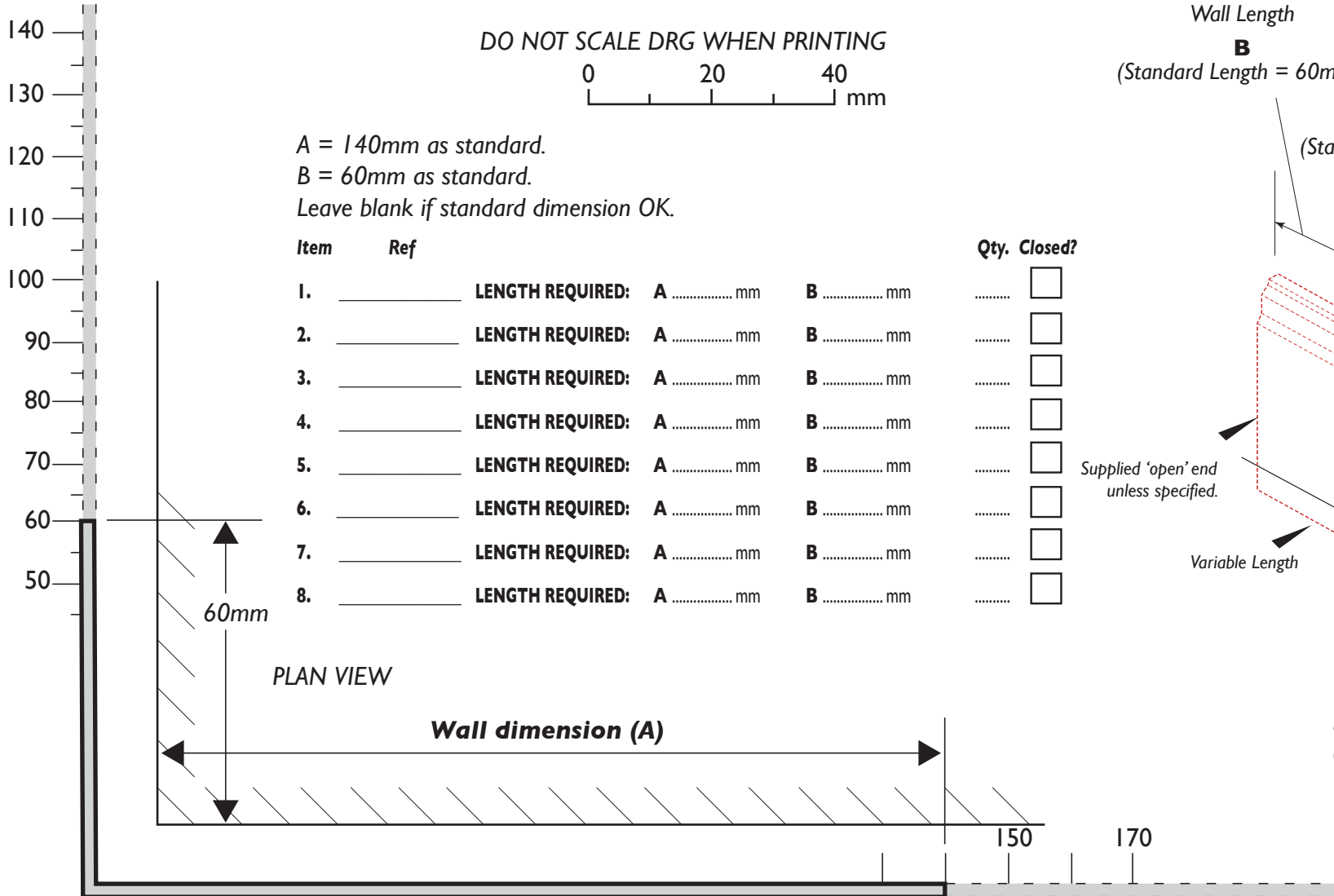


A = 140mm as standard.  
 B = 60mm as standard.  
 Leave blank if standard dimension OK.

Item	Ref	LENGTH REQUIRED:	A	mm	B	mm		
1.	_____	LENGTH REQUIRED:	A	.....	mm	B	.....	mm
2.	_____	LENGTH REQUIRED:	A	.....	mm	B	.....	mm
3.	_____	LENGTH REQUIRED:	A	.....	mm	B	.....	mm
4.	_____	LENGTH REQUIRED:	A	.....	mm	B	.....	mm
5.	_____	LENGTH REQUIRED:	A	.....	mm	B	.....	mm
6.	_____	LENGTH REQUIRED:	A	.....	mm	B	.....	mm
7.	_____	LENGTH REQUIRED:	A	.....	mm	B	.....	mm
8.	_____	LENGTH REQUIRED:	A	.....	mm	B	.....	mm

Qty. Closed?

.....   
 .....   
 .....   
 .....   
 .....   
 .....   
 .....   
 .....



Print out and mark length required and return to DiscreteHeat.